



# Wall/Pipe Mount Kit for MGS-550 Remote Sensing Head Installation Guide

P/N: 1100-1033  
August 2016, Revision 0



## CAUTION

Any installation of the Wall/Pipe Mount Kit for the Remote Sensing Head requires full understanding and strict observance of the Bacharach User Manual (part number 1100-1000).

## 1 Intended Use

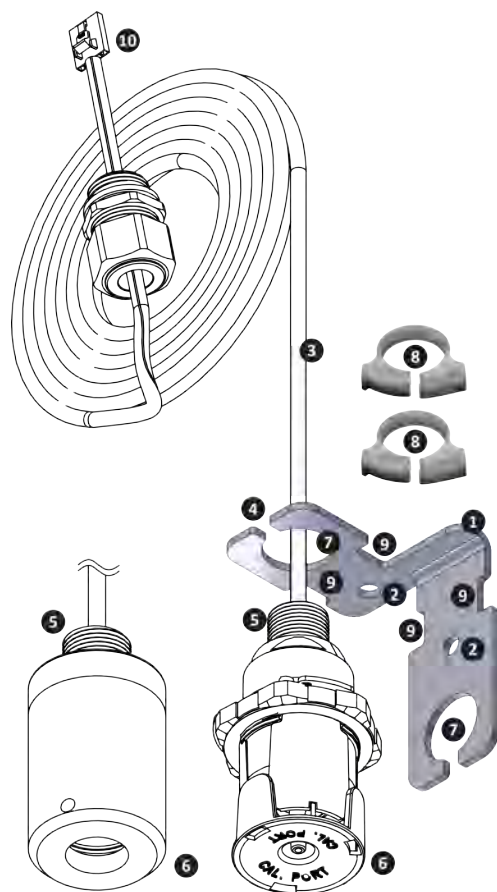
The Wall/Pipe Mount Kit (part number 6600-8962) consists of the bracket (1) and 2 snap clamps (8). It is intended for mounting a Remote Sensing Head onto a wall or pipe.

## 2 Option A - Wall Mounting

Step	Wall Mounting Instructions
a	Drill a hole at the required measurement point (2).
b	Fasten the desired side of bracket (1) using screw (not included) through hole (2).
c	Feed the cable (3) through the slot (4) in the bracket.
d	Feed the thread (5) of the Sensing Head (6) through the hole (7) in the bracket, then tighten a snap clamp (8) around the thread of the Sensing Head (5) to secure it.

## 3 Option B – Pipe Mounting

Step	Pipe Mounting Instructions
a	At the required measurement point, fasten the bracket (1) using 3/8" (10 mm) wide straps (not included) around the pipe and the bracket notches (9).
b	Feed the cable (3) through the slot in the bracket (4).
c	Feed the thread (5) of the Sensing Head (6) through the hole (7) in the bracket, then tighten a snap clamp (8) around the thread of the Sensing Head (5) to secure it.



## 4 Electrical Connection

Complete the electrical connection (10) and assembly of the instrument in accordance with the User Manual (part number 1100-1000).