

PRODUCT BULLETIN



MGS-402 24V

Connection to External Power Supply

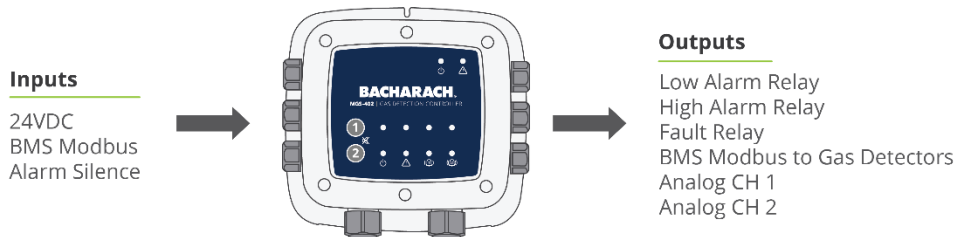
Congratulations on the purchase of your new MGS-402 24V DC Gas Detection Controller.

Your MGS-402 24V DC does not have an internal mounted 120V-240VAC 50/60Hz power source as a result the power line input connector was removed. It is necessary to supply this controller with 24V DC power. We recommend using the Bacharach Switch-Mode Power Supply Module (PN #1100-1089) to supply the unit with power.



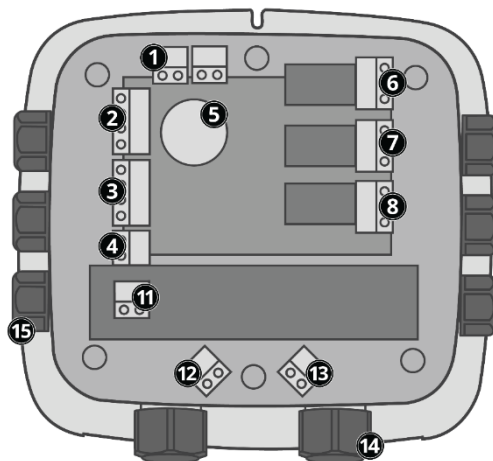
Always read all provided instructions prior to installation and operation of the equipment. Always follow any and all applicable local laws, codes, and standards when wiring and installing your equipment.

The following information varies from the MGS-402 User manual (PN #1100-2578) provided with your controller.



2.5 Components (MGS-402 User Manual PN #1100-2578, Page 6)

#9: 100-240VAC 50/60Hz Power Line Input & #10: Power Supply have been removed.



PRODUCT BULLETIN

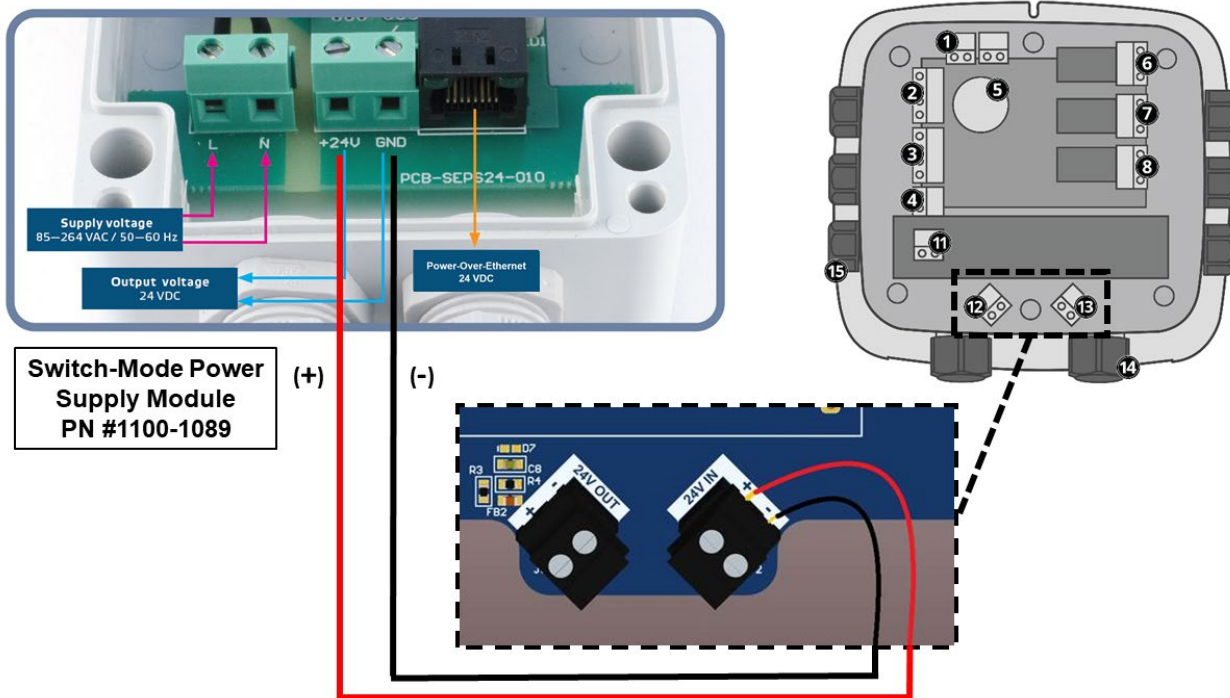
MGS-402 24V External Power Supply

3.5 Power Wiring

The MGS-402 Controller 24V DC will ONLY work if powered via 24V DC derived from an external power source.

Bacharach Switch-Mode Power Supply Module (PN #1100-1089) is recommended to supply the unit with power.

Please use the below wiring diagram when wiring the Switch-Mode Power Supply Module (PN #1100-1089) to an MGS-402 Controller.



Locate the +24 VDC input terminal block (#13) and unplug it from the controller.

1. Ensuring that the main power is turned off at the upstream circuit breaker or disconnect switch, feed the incoming power leads through the right-hand M20 gland and into the appropriate terminals (+24 VDC and -24VDC) on the terminal block.
2. Plug the +24 VDC terminal block back into the printed circuit board (PCB).

Bacharach recommends using 0.75mm² (18AWG) cabling, at minimum, when wiring power between the Switch Power Supply Module (PN #1100-1089) and an MGS-402 Controller.

Max cable length will vary depending on the application and the number of controllers and detectors powered via the power supply. See the MGS Series Cable Sizing & Selection Guide for more details, <https://bit.ly/33PnBe9>

For additional MGS-402 wiring and installation instructions, please reference the MGS-402 User Manual PN #1100-2578.