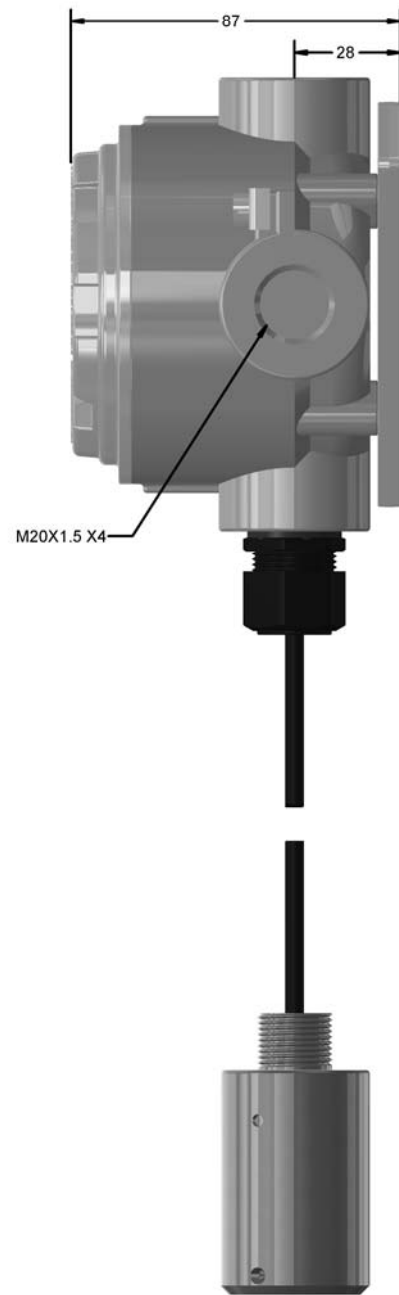
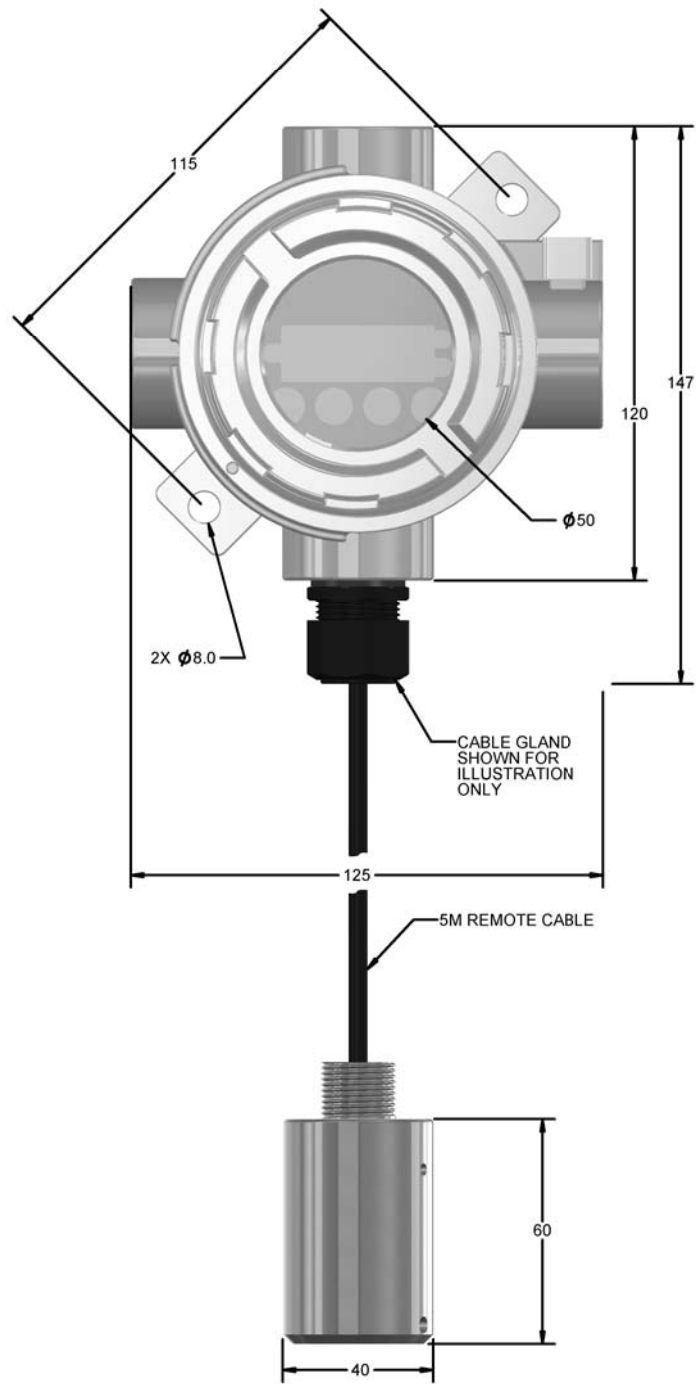
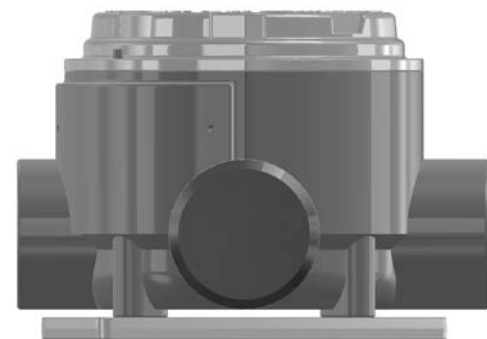
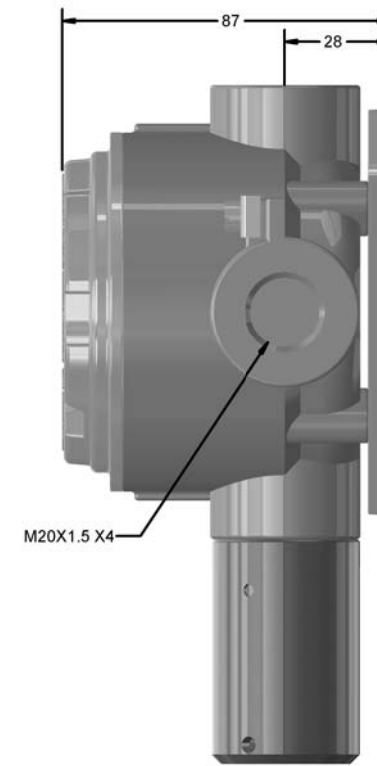
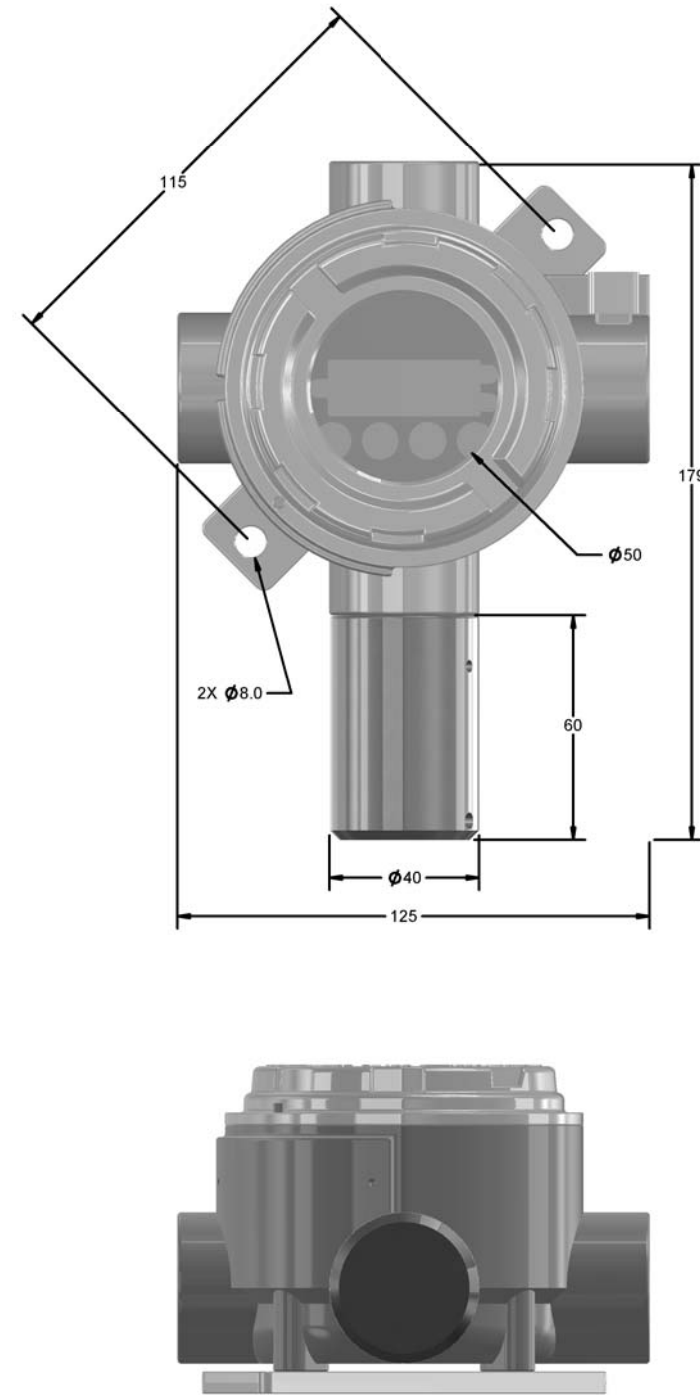


ECN NO.		REV.	REVISIONS	DRAFTER	APPROV.
			CREATED DRAWING		



MGS-550 XP REMOTE SENSOR
MGS-550 XP LOCAL SENSOR



P	METRIC	TOLERANCE UNLESS OTHERWISE SPECIFIED			DO NOT SCALE DRAWING ALL DIMENSIONS ARE MILLIMETERS	BACHARACH® TITLE d	
		NO DEC.	1 PL. DEC.	2 PL. DEC.			
THE FOLLOWING INFORMATION IS: ■ APPLICABLE THIS DOCUMENT IS THE PROPERTY OF BACHARACH INC. AND IS DELIVERED ON THE EXPRESS CONDITION THAT IT IS NOT TO BE DISCLOSED, REPRODUCED IN WHOLE OR IN PART, OR USED FOR MANUFACTURE FOR ANYONE OTHER THAN BACHARACH INC. WITHOUT ITS WRITTEN CONSENT. NO RIGHT IS GRANTED TO DISCLOSE OR USE ANY INFORMATION CONTAINED IN SAID DOCUMENT. THIS RESTRICTION DOES NOT LIMIT THE RIGHT TO USE INFORMATION OBTAINED FROM ANOTHER SOURCE.		HOLES		MATERIAL:			
		0.5mm	0.25mm	0.10mm	2.0mm ±0.07	5mm THRU 7mm ±0.07 +0.1mm	7mm THRU 12mm ±0.07 +0.1mm
THIRD ANGLE PROJECTION		ANGLES		MACHINED SURFACES REMOVE ALL BURRS AND SHARP EDGES.		SCALE: 1:0.2	
				MATERIAL:		DRAWING NUMBER	
				FINISH:		SIZE REV.	
				SCALE: 1:0.2		D f	
				SCALE: 1:0.2		SHEET 1 OF 1	

THIS PRINT IS THE PROPERTY OF BACHARACH INC., NEW KENSINGTON, PA. AND MUST BE RETURNED AFTER IT HAS SERVED ITS PURPOSE.