

Technical Note



Connecting Multiple RDM800's to the HGM300 Monitor

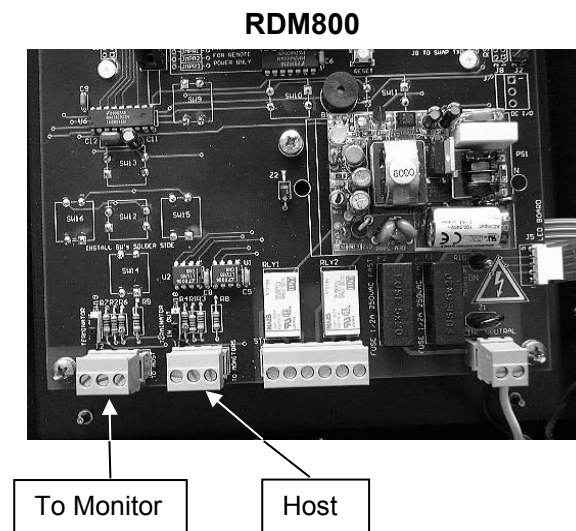
TN 04-1

Rev. 0 – April 2004

The following information describes how to connect multiple RDM800's to the HGM300 Monitor, along with providing configuration and operating tips.

Interconnect the RDM800's and the HGM300 as follows:

NOTE: The maximum number of RDM800's that can be connected together is FOUR.



1. From the HGM300, wire its RS-485 connector to the “TO MONITOR” connector in RDM #1.
2. From RDM #1, wire its “HOST” connector to the “TO MONITOR” connector in RDM #2.
3. From RDM #2, wire its “HOST” connector to the “TO MONITOR” connector in RDM #3.
4. From RDM #3, wire its “HOST” connector to the “TO MONITOR” connector in RDM #4.
5. The terminators from the HGM300 to the first RDM800 should be OUT.
6. The terminators from HOST to MONITOR connections between RDM800's should be IN.

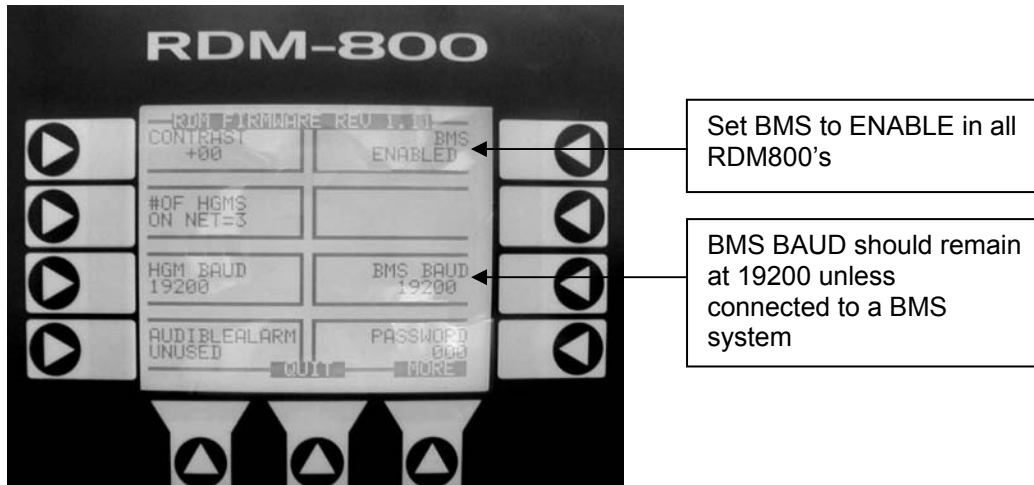
Bacharach, Inc.

621 Hunt Valley Circle, New Kensington, PA 15068

Phone: 724-334-5000 • FAX: 724-334-5001 • E-mail: help@bacharach-inc.com

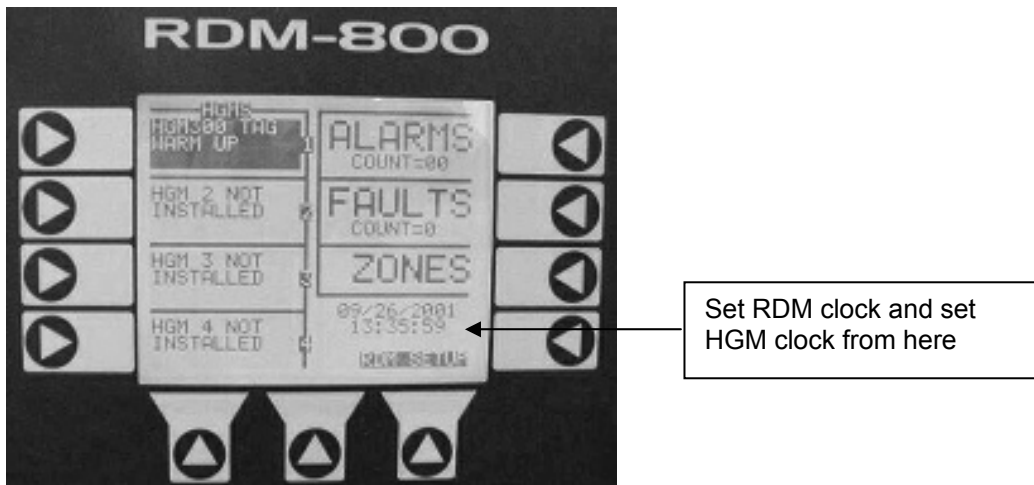
NOTE: All RDM800 units must have their BMS function set to ENABLE. This function is found in the RDM SETUP screen.

NOTE: The BAUD rate should remain at 19200 unless the system is connected to a BMS system. There is no appreciable gain in performance by increasing the BAUD rate.



NOTE: Each RDM800 clock must be individually set. The HGM300 clock may be set from any RDM800.

NOTE: The clocks in the RDM800 and HGM300 DO NOT automatically adjust for Day Light Savings Time.



NOTE: All RDM800's must be in either their SYSTEM or ZONE Screen in order to communicate with the HGM300.